



GRINDING SPUR GEAR

齒研平齒車



■ 카타로그 규격 : ESGA(B), ESCG

● 특징 : ESGA(B)

1. ESG 齒研平齒車는 모듈, 형상, 잇수가 다양하게 설계되어 있고 재질 SCM 21종 全面優炭燒入으로 제품에 따라 (HRC 56~60) 경화층 0.3~1mm) 제작되어 있습니다.
2. ESG 齒研平齒車는 강도 및 내마모성이 우수하며, 고속회전시 부드러운 회전을 하여 사용하기에 가장 용이하게 설계되어 있습니다.
3. 내경 및 Key 가공은 카타로그를 참조하시고 선택하여 주시기 바랍니다.

● 특징 : ESCG

1. ESCG 齒研平齒車의 제품은 치면 열처리 후 치면연삭되어 있으며 설계자의 사양에 맞게 내경가공 및 후 사상작업을 자유로이 가공할 수 있도록 제작되어 있습니다.
2. 재질 SM45C로 제작되었고, 齒面高周波燒入(경도 HRC 45~48) 되어 있습니다.

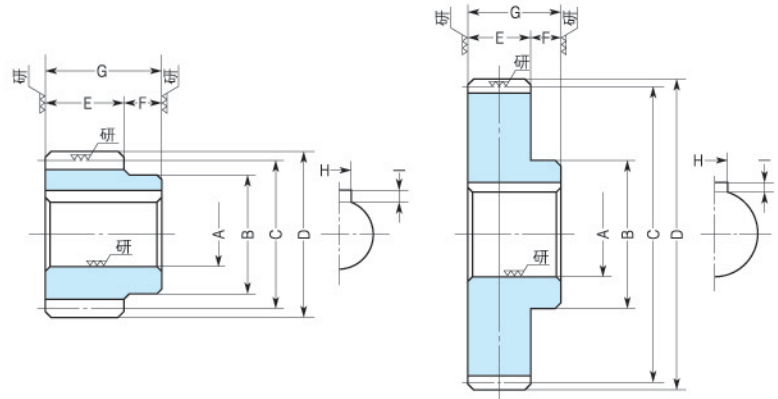
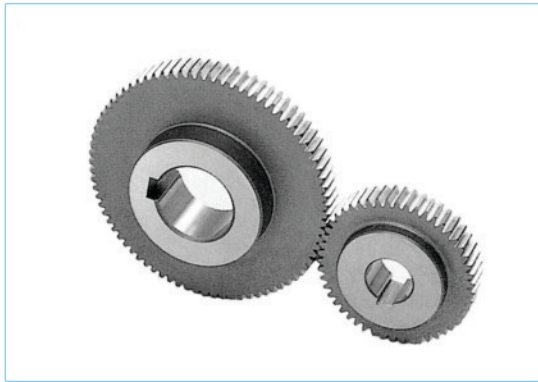
※ 치면치수 공차는 KS 2~3級 공차를 참고하십시오.

- 齒研平齒車의 종류 : - 모듈 M1~M4
- 재질 SCM 21종, SM45C





● 材質 : SCM21 ● 壓力角 : 20° ● 全面侵炭焼入 ● KS : 1級



■ 齒研平齒車 (齒幅 10mm)

규격	잇수	내경	보스경	피치원직경	치선원직경	치폭	보스길이	전장	키-홀	중량 (kg)
	Z	A _{H7}	B	C	D	E	F	G	H × I	
ESGA1- 18	18	8	15	18.0	20.0	10	5	15	3 × 1.4	(A) 0.02
ESGA1- 20	20	8	17	20.0	22.0	10	5	15	3 × 1.4	(A) 0.03
ESGB1- 20	20	10	17	20.0	22.0	10	5	15	4 × 1.8	(B) 0.03
ESGA1- 24	24	10	20	24.0	26.0	10	5	15	4 × 1.8	(A) 0.04
ESGB1- 24	24	12	20	24.0	26.0	10	5	15	4 × 1.8	(B) 0.04
ESGA1- 25	25	10	20	25.0	27.0	10	5	15	4 × 1.8	(A) 0.04
ESGB1- 25	25	12	20	25.0	27.0	10	5	15	4 × 1.8	(B) 0.04
ESGA1- 30	30	10	25	30.0	32.0	10	5	15	4 × 1.8	(A) 0.07
ESGB1- 30	30	12	25	30.0	32.0	10	5	15	4 × 1.8	(B) 0.07
ESGA1- 35	35	10	25	35.0	37.0	10	5	15	4 × 1.8	(A) 0.09
ESGB1- 35	35	15	25	35.0	37.0	10	5	15	5 × 2.3	(B) 0.09
ESGA1- 36	36	12	25	36.0	38.0	10	5	15	4 × 1.8	(A) 0.10
ESGB1- 36	36	15	25	36.0	38.0	10	5	15	5 × 2.3	(B) 0.10
ESGA1- 40	40	12	30	40.0	42.0	10	5	15	4 × 1.8	(A) 0.12
ESGB1- 40	40	15	30	40.0	42.0	10	5	15	5 × 2.3	(B) 0.11
ESGA1- 45	45	12	30	45.0	47.0	10	5	15	4 × 1.8	(A) 0.15
ESGB1- 45	45	15	30	45.0	47.0	10	5	15	5 × 2.3	(B) 0.14
ESGA1- 48	48	12	30	48.0	50.0	10	5	15	4 × 1.8	(A) 0.17
ESGB1- 48	48	15	30	48.0	50.0	10	5	15	5 × 2.3	(B) 0.16
ESGA1- 50	50	12	35	50.0	52.0	10	5	15	4 × 1.8	(A) 0.19
ESGB1- 50	50	15	35	50.0	52.0	10	5	15	5 × 2.3	(B) 0.18
ESGA1- 55	55	15	40	55.0	57.0	10	10	20	5 × 2.3	(A) 0.27
ESGB1- 55	55	20	40	55.0	57.0	10	10	20	6 × 2.8	(B) 0.25
ESGA1- 60	60	15	40	60.0	62.0	10	10	20	5 × 2.3	(A) 0.30
ESGB1- 60	60	20	40	60.0	62.0	10	10	20	6 × 2.8	(B) 0.28
ESGA1- 70	70	20	45	70.0	72.0	10	10	20	6 × 2.8	(A) 0.39
ESGB1- 70	70	25	45	70.0	72.0	10	10	20	8 × 3.3	(B) 0.36
ESGA1- 80	80	20	45	80.0	82.0	10	10	20	8 × 2.8	(A) 0.48
ESGB1- 80	80	25	45	80.0	82.0	10	10	20	8 × 3.3	(B) 0.46
ESGA1- 100	100	20	45	100.0	102.0	10	10	20	6 × 2.8	(A) 0.71
ESGB1- 100	100	25	45	100.0	102.0	10	10	20	8 × 3.3	(B) 0.68

■ ESGA(B) 許容傳達動力表 (kW)

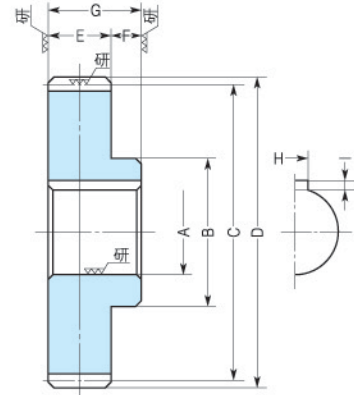
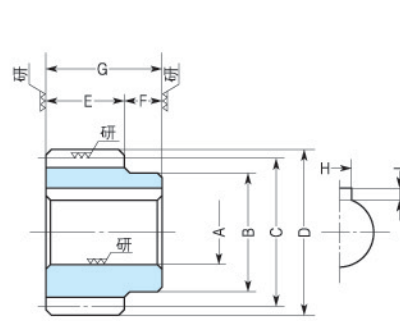
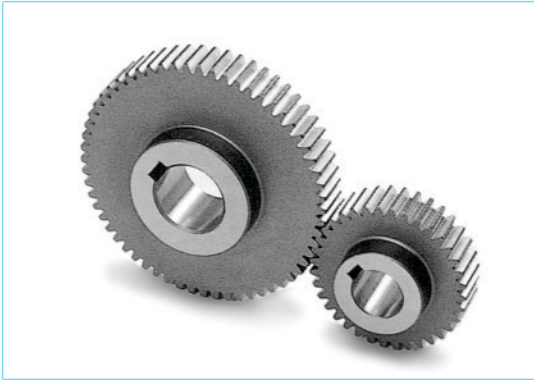
규격	rpm					
	300	600	900	1200	1800	2400
ESGA1- 18	0.30	0.61	0.91	1.22	1.83	2.45
ESGA1- 20	0.35	0.71	1.06	1.42	2.13	2.84
ESGA1- 24	0.45	0.91	1.36	1.82	2.73	3.64
ESGA1- 25	0.48	0.96	1.44	1.92	2.88	3.85
ESGA1- 30	0.60	1.21	1.82	2.43	3.65	4.87
ESGA1- 35	0.73	1.47	2.21	2.95	4.43	5.91
ESGA1- 36	0.76	1.53	2.29	3.06	4.59	6.12
ESGA1- 40	0.87	1.74	2.61	3.48	5.22	6.96
ESGA1- 45	1.00	2.00	3.01	4.01	6.02	8.02
ESGA1- 48	1.08	2.16	3.25	4.33	6.50	8.66
ESGA1- 50	1.13	2.27	3.41	4.54	6.82	9.09
ESGA1- 55	1.27	2.54	3.81	5.08	7.62	10.1
ESGA1- 60	1.40	2.80	4.21	5.61	8.42	11.2
ESGA1- 70	1.67	3.34	5.02	6.69	10.0	12.1
ESGA1- 80	1.94	3.89	5.83	7.78	11.6	14.1
ESGA1- 100	2.48	4.97	7.46	9.95	13.5	16.5

**ESGAB****GRINDING SPUR GEAR**

MODULE

1.5**齒研平齒車**

● 材質 : SCM21 ● 壓力角 : 20° ● 全面侵炭焼入 ● KS : 1級



■ 齒研平齒車 (齒幅 15mm)

규격	잇수	내경	보스경	피치원직경	치선원직경	치폭	보스길이	전장	키-홀	중량 (kg)
	Z	A _{H7}	B	C	D	E	F	G	H × I	
ESGA1.5- 15	15	10	18	22.5	25.5	15	10	25	4 × 1.8	(A) 0.05
ESGA1.5- 18	18	10	22	27.0	30.0	15	10	25	4 × 1.8	(A) 0.08
ESGB1.5- 18	18	12	22	27.0	30.0	15	10	25	4 × 1.8	(B) 0.08
ESGA1.5- 20	20	12	25	30.0	33.0	15	10	25	4 × 1.8	(A) 0.09
ESGB1.5- 20	20	15	25	30.0	33.0	15	10	25	5 × 2.3	(B) 0.10
ESGA1.5- 24	24	12	28	36.0	39.0	15	10	25	4 × 1.8	(A) 0.14
ESGB1.5- 24	24	15	28	36.0	39.0	15	10	25	5 × 2.3	(B) 0.14
ESGA1.5- 25	25	14	30	37.5	40.5	15	10	25	5 × 2.3	(A) 0.15
ESGB1.5- 25	25	16	30	37.5	40.5	15	10	25	5 × 2.3	(B) 0.14
ESGA1.5- 30	30	15	30	45.0	48.0	15	10	25	5 × 2.3	(A) 0.20
ESGB1.5- 30	30	18	30	45.0	48.0	15	10	25	6 × 2.8	(B) 0.19
ESGA1.5- 35	35	15	32	52.5	55.5	15	10	25	5 × 2.3	(A) 0.31
ESGB1.5- 35	35	18	32	52.5	55.5	15	10	25	6 × 2.8	(B) 0.30
ESGA1.5- 36	36	15	32	54.0	57.0	15	10	25	5 × 2.3	(A) 0.32
ESGB1.5- 36	36	18	32	54.0	57.0	15	10	25	6 × 2.8	(B) 0.31
ESGA1.5- 40	40	16	35	60.0	63.0	15	10	25	5 × 2.3	(A) 0.36
ESGB1.5- 40	40	20	35	60.0	63.0	15	10	25	6 × 2.8	(B) 0.34
ESGA1.5- 45	45	16	40	67.5	70.5	15	10	25	5 × 2.3	(A) 0.51
ESGB1.5- 45	45	20	40	67.5	70.5	15	10	25	6 × 2.8	(B) 0.49
ESGA1.5- 48	48	16	40	72.0	75.0	15	10	25	5 × 2.3	(A) 0.54
ESGB1.5- 48	48	20	40	72.0	75.0	15	10	25	6 × 2.8	(B) 0.53
ESGA1.5- 50	50	18	40	75.0	78.0	15	10	25	6 × 2.8	(A) 0.55
ESGB1.5- 50	50	22	40	75.0	78.0	15	10	25	6 × 2.8	(B) 0.53
ESGA1.5- 55	55	20	45	82.5	85.5	15	10	25	6 × 2.8	(A) 0.73
ESGB1.5- 55	55	25	45	82.5	85.5	15	10	25	8 × 3.3	(B) 0.70
ESGA1.5- 60	60	20	45	90.0	93.0	15	10	25	6 × 2.8	(A) 0.80
ESGB1.5- 60	60	25	45	90.0	93.0	15	10	25	8 × 3.3	(B) 0.76
ESGA1.5- 70	70	20	45	105.0	108.0	15	10	25	6 × 2.8	(A) 1.14
ESGB1.5- 70	70	25	45	105.0	108.0	15	10	25	8 × 3.3	(B) 1.11
ESGA1.5- 80	80	20	45	120.0	123.0	15	10	25	6 × 2.8	(A) 1.4
ESGB1.5- 80	80	25	45	120.0	123.0	15	10	25	8 × 3.3	(B) 1.3
ESGA1.5- 100	100	25	50	150.0	153.0	15	10	25	8 × 3.3	(A) 2.2
ESGB1.5- 100	100	30	50	150.0	153.0	15	10	25	8 × 3.3	(B) 2.1

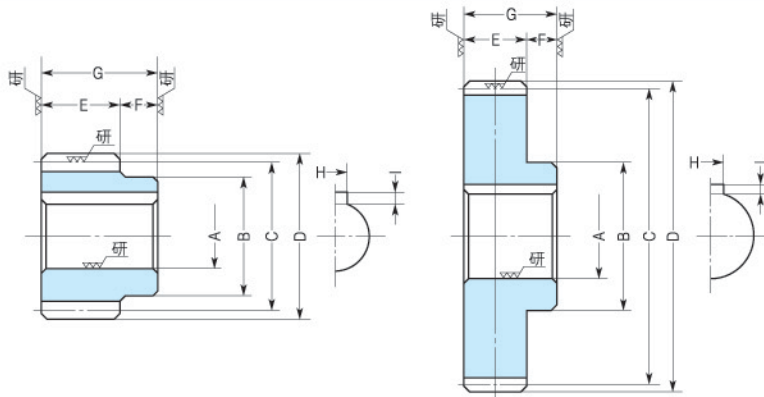
■ ESGA(B) 許容傳達動力表 (kW)

규격	rpm					
	300	600	900	1200	1800	2400
ESGA1.5- 15	0.77	1.55	2.33	3.11	4.67	6.22
ESGA1.5- 18	1.01	2.03	3.05	4.07	6.11	8.14
ESGA1.5- 20	1.18	2.36	3.54	4.72	7.09	9.45
ESGA1.5- 24	1.51	3.03	4.54	6.06	9.09	12.1
ESGA1.5- 25	1.59	3.19	4.79	6.39	9.59	12.7
ESGA1.5- 30	2.02	4.05	6.07	8.10	12.1	16.2
ESGA1.5- 35	2.45	4.91	7.37	9.83	14.7	19.6
ESGA1.5- 36	2.54	5.09	7.63	10.1	15.2	20.3
ESGA1.5- 40	2.89	5.79	8.68	11.5	17.3	23.1
ESGA1.5- 45	3.33	6.67	10.0	13.3	20.0	24.2
ESGA1.5- 48	3.60	7.20	10.8	14.4	21.6	26.2
ESGA1.5- 50	3.78	7.56	11.3	15.1	22.6	27.4
ESGA1.5- 55	4.72	8.45	12.6	16.9	25.3	30.7
ESGA1.5- 60	4.67	9.34	14.0	18.6	25.4	33.9
ESGA1.5- 70	5.66	11.1	16.7	22.2	30.2	37.1
ESGA1.5- 80	6.47	12.9	19.4	25.8	35.2	43.1
ESGA1.5- 100	8.27	16.5	24.8	30.1	41.3	50.9

ESGA · BSGE



● 材質 : SCM21 ● 壓力角 : 20° ● 全面侵炭焼入 ● KS : 1級



■ 齒研平齒車 (齒幅 20mm)

규격	잇수	내경	보스경	피치원직경	치선원직경	치 폭	보스길이	전장	키-홀	J	K	중량 (kg)
	Z	A _{H7}	B	C	D	E	F	G	H × I			
ESGA2- 15	15	12	24	30.0	34.0	20	10	30	4 × 1.8	-	-	(A) 0.11
ESGB2- 15	15	15	24	30.0	34.0	20	10	30	5 × 2.3	-	-	(B) 0.10
ESGA2- 18	18	12	30	36.0	40.0	20	10	30	4 × 1.8	-	-	(A) 0.20
ESGB2- 18	18	15	30	36.0	40.0	20	10	30	5 × 2.3	-	-	(B) 0.19
ESGA2- 20	20	15	32	40.0	44.0	20	10	30	5 × 2.3	-	-	(A) 0.29
ESGB2- 20	20	18	32	40.0	44.0	20	10	30	6 × 2.8	-	-	(B) 0.20
ESGA2- 24	24	15	35	48.0	52.0	20	10	30	5 × 2.3	-	-	(A) 0.35
ESGB2- 24	24	18	35	48.0	52.0	20	10	30	6 × 2.8	-	-	(B) 0.34
ESGA2- 25	25	16	35	50.0	54.0	20	10	30	5 × 2.3	-	-	(A) 0.36
ESGB2- 25	25	20	35	50.0	54.0	20	10	30	6 × 2.8	-	-	(B) 0.35
ESGA2- 30	30	18	40	60.0	64.0	20	10	30	6 × 2.8	-	-	(A) 0.47
ESGB2- 30	30	22	40	60.0	64.0	20	10	30	6 × 2.8	-	-	(B) 0.44
ESGA2- 35	35	18	40	70.0	74.0	20	10	30	6 × 2.8	-	-	(A) 0.71
ESGB2- 35	35	22	40	70.0	74.0	20	10	30	6 × 2.8	-	-	(B) 0.68
ESGA2- 36	36	18	40	72.0	76.0	20	10	30	6 × 2.8	-	-	(A) 0.76
ESGB2- 36	36	22	40	72.0	76.0	20	10	30	6 × 2.8	-	-	(B) 0.73
ESGA2- 40	40	20	45	80.0	84.0	20	10	30	6 × 2.8	-	-	(A) 0.82
ESGB2- 40	40	25	45	80.0	84.0	20	10	30	8 × 3.3	-	-	(B) 0.79
ESGA2- 45	45	20	45	90.0	94.0	20	10	30	6 × 2.8	-	-	(A) 1.0
ESGB2- 45	45	25	45	90.0	94.0	20	10	30	8 × 3.3	-	-	(B) 1.1
ESGA2- 48	48	22	50	96.0	100.0	20	10	30	6 × 2.8	-	-	(A) 1.3
ESGB2- 48	48	28	50	96.0	100.0	20	10	30	8 × 3.3	-	-	(B) 1.2
ESGA2- 50	50	22	50	100.0	104.0	20	10	30	6 × 2.8	13	84	(A) 1.1
ESGB2- 50	50	28	50	100.0	104.0	20	10	30	8 × 3.3	13	84	(B) 1.0
ESGA2- 55	55	25	55	110.0	114.0	20	10	30	8 × 3.3	13	90	(A) 1.4
ESGB2- 55	55	30	55	110.0	114.0	20	10	30	8 × 3.3	13	90	(B) 1.3
ESGA2- 60	60	25	55	120.0	124.0	20	10	30	8 × 3.3	13	104	(A) 1.5
ESGB2- 60	60	30	55	120.0	124.0	20	10	30	8 × 3.3	13	104	(B) 1.4
ESGA2- 70	70	25	55	140.0	144.0	20	10	30	8 × 3.3	13	114	(A) 2.4
ESGB2- 70	70	35	55	140.0	144.0	20	10	30	8 × 3.3	13	114	(B) 2.3
ESGA2- 80	80	30	60	160.0	164.0	20	10	30	8 × 3.3	13	144	(A) 2.5
ESGB2- 80	80	35	60	160.0	164.0	20	10	30	10 × 3.3	13	144	(B) 2.4
ESGA2-100	100	35	80	200.0	204.0	20	10	30	10 × 3.3	13	174	(A) 5.0
ESGB2-100	100	40	80	200.0	204.0	20	10	30	12 × 3.3	13	174	(B) 4.9

■ ESGA(B) 許容傳達動力表 (kW)

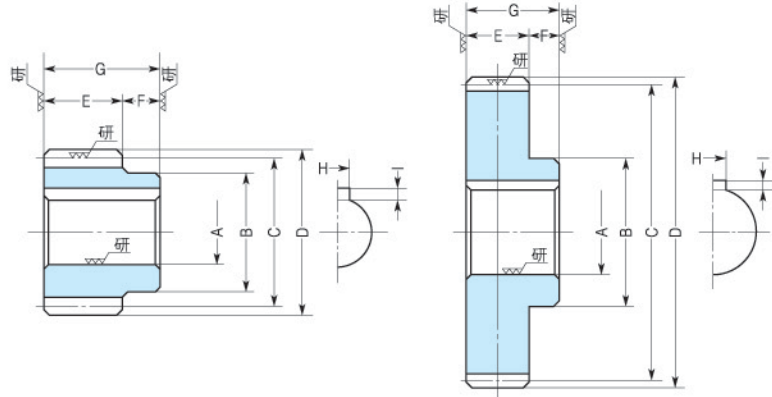
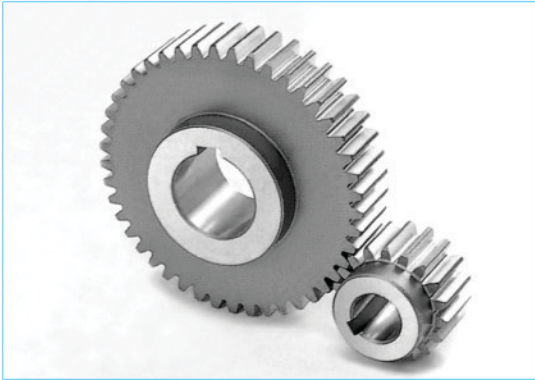
규격	rpm					
	300	600	900	1200	1800	2400
ESGA2- 15	1.84	3.69	5.53	7.78	11.0	14.7
ESGA2- 18	2.41	4.82	7.24	9.65	14.4	19.3
ESGA2- 20	2.80	5.60	8.40	11.2	16.8	22.4
ESGA2- 24	3.59	7.18	10.7	14.3	21.5	28.7
ESGA2- 25	3.79	7.58	11.3	15.1	22.7	30.3
ESGA2- 30	4.80	9.60	14.4	19.2	28.8	38.4
ESGA2- 35	5.82	11.6	17.4	23.3	34.9	42.3
ESGA2- 36	6.03	12.0	18.1	24.1	36.2	43.8
ESGA2- 40	6.86	13.7	20.5	27.4	41.4	49.9
ESGA2- 45	7.90	15.8	23.7	31.6	43.1	57.5
ESGA2- 48	8.53	17.0	25.6	34.1	46.5	58.0
ESGA2- 50	8.96	17.9	26.8	35.8	48.8	59.7
ESGA2- 55	10.0	20.0	30.0	40.0	54.6	66.7
ESGA2- 60	11.0	22.1	33.2	44.2	60.4	73.8
ESGA2- 70	13.2	26.4	39.6	48.0	66.0	88.0
ESGA2- 80	15.3	30.6	46.0	55.7	76.6	94.3
ESGA2-100	19.6	39.2	53.5	65.4	90.5	-

**ESGAB****GRINDING SPUR GEAR**

MODULE

2.5**齒研平齒車**

● 材質 : SCM21 ● 壓力角 : 20° ● 全面侵炭燒入 ● KS : 1級



■ 齒研平齒車 (齒幅 25mm)

규격	잇수	내경	보스경	피치원직경	치선원직경	치폭	보스길이	전장	키-홈	J	K	중량 (kg)
	Z	A _{H7}	B	C	D	E	F	G	H × I			
ESGA2.5-15	15	15	30	37.5	42.5	25	12	37	5 × 2.3	-	-	(A) 0.22
ESGB2.5-15	15	18	30	37.5	42.5	25	12	37	6 × 2.8	-	-	(B) 0.20
ESGA2.5-18	18	18	38	45.0	50.0	25	12	37	6 × 2.8	-	-	(A) 0.40
ESGB2.5-18	18	20	38	45.0	50.0	25	12	37	6 × 2.8	-	-	(B) 0.37
ESGA2.5-20	20	18	40	50.0	55.0	25	12	37	6 × 2.8	-	-	(A) 0.42
ESGB2.5-20	20	22	40	50.0	55.0	25	12	37	6 × 2.8	-	-	(B) 0.38
ESGA2.5-24	24	18	40	60.0	65.0	25	12	37	6 × 2.8	-	-	(A) 0.85
ESGB2.5-24	24	22	40	60.0	65.0	25	12	37	6 × 2.8	-	-	(B) 0.82
ESGA2.5-25	25	20	45	62.5	67.5	25	12	37	6 × 2.8	-	-	(A) 0.65
ESGB2.5-25	25	25	45	62.5	67.5	25	12	37	8 × 3.3	-	-	(B) 0.60
ESGA2.5-30	30	22	50	75.0	80.0	25	12	37	6 × 2.8	-	-	(A) 0.93
ESGB2.5-30	30	28	50	75.0	80.0	25	12	37	8 × 3.3	-	-	(B) 0.85
ESGA2.5-35	35	25	55	87.5	92.5	25	12	37	8 × 3.3	-	-	(A) 1.4
ESGB2.5-35	35	30	55	87.5	92.5	25	12	37	8 × 3.3	-	-	(B) 1.3
ESGA2.5-36	36	25	55	90.0	95.0	25	12	37	8 × 3.3	-	-	(A) 1.5
ESGB2.5-36	36	30	55	90.0	95.0	25	12	37	8 × 3.3	-	-	(B) 1.4
ESGA2.5-40	40	25	55	100.0	105.0	25	12	37	8 × 3.3	-	-	(A) 1.6
ESGB2.5-40	40	32	55	100.0	105.0	25	12	37	10 × 3.3	-	-	(B) 1.5
ESGA2.5-45	45	30	60	112.5	117.5	25	12	37	8 × 3.3	-	-	(A) 2.2
ESGB2.5-45	45	35	60	112.5	117.5	25	12	37	10 × 3.3	-	-	(B) 2.1
ESGA2.5-48	48	30	60	120.0	125.0	25	12	37	8 × 3.3	-	-	(A) 2.4
ESGB2.5-48	48	35	60	120.0	125.0	25	12	37	10 × 3.3	-	-	(B) 2.3
ESGA2.5-50	50	30	60	125.0	130.0	25	12	37	8 × 3.3	17	105	(A) 2.1
ESGB2.5-50	50	35	60	125.0	130.0	25	12	37	10 × 3.3	17	105	(B) 2.0
ESGA2.5-55	55	30	70	137.5	142.5	25	12	37	8 × 3.3	17	115	(A) 3.2
ESGB2.5-55	55	40	70	137.5	142.5	25	12	37	12 × 3.3	17	115	(B) 3.1
ESGA2.5-60	60	30	70	150.0	155.0	25	12	37	8 × 3.3	17	130	(A) 3.0
ESGB2.5-60	60	40	70	150.0	155.0	25	12	37	8 × 3.3	17	130	(B) 2.8
ESGA2.5-70	70	40	85	175.0	180.0	25	12	37	12 × 3.3	17	150	(A) 5.4
ESGB2.5-70	70	50	85	175.0	180.0	25	12	37	14 × 3.8	17	150	(B) 5.2

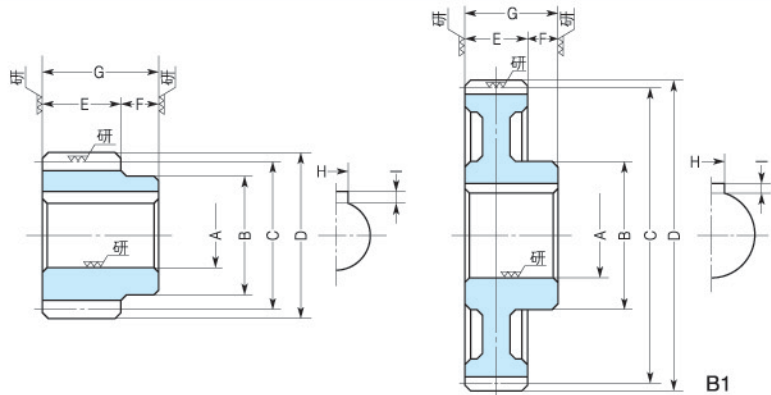
■ ESGA(B) 許容傳達動力表 (kW)

rpm 규격	300	600	900	1200	1800	2400
	ESGA2.5-15	3.60	7.21	10.8	14.4	21.6
ESGA2.5-18	4.71	9.42	14.1	18.8	28.2	37.7
ESGA2.5-20	5.47	10.9	16.4	21.8	32.8	43.7
ESGA2.5-24	7.01	14.0	21.0	28.0	42.0	56.1
ESGA2.5-25	7.40	14.8	22.2	29.6	44.4	59.2
ESGA2.5-30	9.37	18.7	28.1	37.5	56.2	68.2
ESGA2.5-35	11.3	22.7	34.1	45.5	62.0	82.7
ESGA2.5-36	11.7	23.5	35.3	47.1	64.2	85.7
ESGA2.5-40	13.4	26.8	40.2	53.6	73.1	89.3
ESGA2.5-45	15.4	30.8	46.3	61.7	84.2	102
ESGA2.5-48	16.6	33.3	50.0	66.7	90.9	111
ESGA2.5-50	17.5	35.0	52.5	70.0	95.4	116
ESGA2.5-55	19.5	39.1	58.6	71.1	97.8	130
ESGA2.5-60	21.6	43.2	64.8	78.6	108	133
ESGA2.5-70	25.7	51.5	70.3	93.7	128	158

ESGA · BSGE



● 材質 : SCM21 ● 壓力角 : 20° ● 全面侵炭燒入 ● KS : 1級



■ 齒研平齒車 (齒幅 30mm)

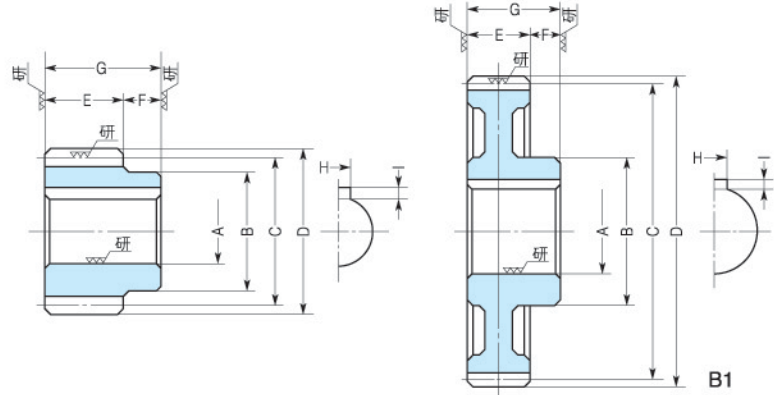
규격	잇수	내경	보스경	피치원직경	치선원직경	치 폭	보스길이	전장	키-홀	J	K	중량 (kg)
	Z	A _{H7}	B	C	D	E	F	G	H × I			
ESGA3- 15	15	18	36	45.0	51.0	30	15	45	6 × 2.8	-	-	(A) 0.40
ESGB3- 15	15	22	36	45.0	51.0	30	15	45	6 × 2.8	-	-	(B) 0.35
ESGA3- 18	18	20	45	54.0	60.0	30	15	45	6 × 2.8	-	-	(A) 0.70
ESGB3- 18	18	25	45	54.0	60.0	30	15	45	8 × 3.3	-	-	(B) 0.64
ESGA3- 20	20	20	45	60.0	66.0	30	15	45	6 × 2.8	-	-	(A) 0.73
ESGB3- 20	20	25	45	60.0	66.0	30	15	45	8 × 3.3	-	-	(B) 0.66
ESGA3- 24	24	20	45	72.0	78.0	30	15	45	6 × 2.8	-	-	(A) 1.0
ESGB3- 24	24	25	45	72.0	78.0	30	15	45	8 × 3.3	-	-	(B) 0.9
ESGA3- 25	25	25	55	75.0	81.0	30	15	45	8 × 3.3	-	-	(A) 1.1
ESGB3- 25	25	30	55	75.0	81.0	30	15	45	10 × 3.3	-	-	(B) 1.0
ESGA3- 30	30	28	60	90.0	96.0	30	15	45	8 × 3.3	-	-	(A) 1.6
ESGB3- 30	30	35	60	90.0	96.0	30	15	45	10 × 3.3	-	-	(B) 1.5
ESGA3- 35	35	30	60	105.0	111.0	30	15	45	8 × 3.3	-	-	(A) 2.3
ESGB3- 35	35	35	60	105.0	111.0	30	15	45	10 × 3.3	-	-	(B) 2.2
ESGA3- 36	36	30	60	108.0	114.0	30	15	45	8 × 3.3	-	-	(A) 2.4
ESGB3- 36	36	35	60	108.0	114.0	30	15	45	10 × 3.3	-	-	(B) 2.3
ESGA3- 40	40	30	70	120.0	126.0	30	15	45	8 × 3.3	-	-	(A) 2.8
ESGB3- 40	40	40	70	120.0	126.0	30	15	45	12 × 3.3	-	-	(B) 2.6
ESGA3- 45	45	30	70	135.0	141.0	30	15	45	8 × 3.3	-	-	(A) 3.8
ESGB3- 45	45	40	70	135.0	141.0	30	15	45	12 × 3.3	-	-	(B) 3.7
ESGA3- 48	48	35	70	144.0	150.0	30	15	45	10 × 3.3	-	-	(A) 4.2
ESGB3- 48	48	40	70	144.0	150.0	30	15	45	12 × 3.3	-	-	(B) 4.1
ESGA3- 50	50	32	70	150.0	156.0	30	15	45	10 × 3.3	20	126	(A) 3.6
ESGB3- 50	50	40	70	150.0	156.0	30	15	45	12 × 3.3	20	126	(B) 3.5
ESGA3- 55	55	35	70	165.0	171.0	30	15	45	10 × 3.3	20	140	(A) 5.1
ESGB3- 55	55	40	70	165.0	171.0	30	15	45	12 × 3.3	20	140	(B) 4.8
ESGA3- 60	60	35	80	180.0	186.0	30	15	45	10 × 3.3	20	156	(A) 5.1
ESGB3- 60	60	45	80	180.0	186.0	30	15	45	14 × 3.8	20	156	(B) 4.9

■ ESGA(B) 許容傳達動力表 (kW)

규격	rpm	300	600	900	1200	1800	2400
	ESGA3- 15	6.22	12.4	18.6	24.9	37.3	49.8
ESGA3- 18	8.14	16.2	24.2	32.5	48.8	65.1	
ESGA3- 20	9.45	18.9	28.3	37.8	56.7	75.6	
ESGA3- 24	12.1	24.2	36.3	48.4	72.7	88.1	
ESGA3- 25	12.7	25.2	38.3	51.1	76.7	93.0	
ESGA3- 30	16.2	32.4	48.6	64.8	88.4	117	
ESGA3- 35	19.6	39.3	59.0	78.6	107	131	
ESGA3- 36	20.3	40.7	61.6	81.4	111	135	
ESGA3- 40	23.1	46.3	69.5	92.6	126	154	
ESGA3- 45	26.6	53.3	80.0	97.0	133	177	
ESGA3- 48	28.8	57.6	86.4	104	144	177	
ESGA3- 50	30.2	60.4	90.7	109	151	186	
ESGA3- 55	33.8	67.6	101	122	169	208	
ESGA3- 60	37.3	74.7	118	135	186	230	



● 材質 : SCM21 ● 壓力角 : 20° ● 全面侵炭燒入 ● KS : 1級



■ 齒研平齒車 (齒幅 40mm)

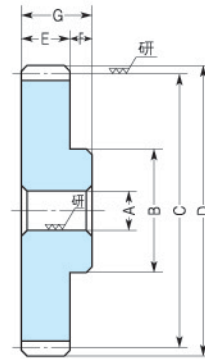
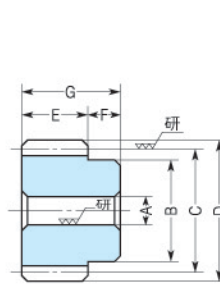
규격	잇수	내경	보스경	피치원직경	치선원직경	치폭	보스길이	전장	키-홈	J	K	중량 (kg)
	Z	A _{H7}	B	C	D	E	F	G	H × I			
ESGA4-15	15	25	48	60.0	68.0	40	20	60	8 × 3.3	-	-	(A) 0.92
ESGB4-15	15	30	48	60.0	68.0	40	20	60	8 × 3.3	-	-	(B) 0.80
ESGA4-18	18	25	50	72.0	80.0	40	20	60	8 × 3.3	-	-	(A) 1.5
ESGB4-18	18	30	50	72.0	80.0	40	20	60	8 × 3.3	-	-	(B) 1.4
ESGA4-20	20	28	60	80.0	88.0	40	20	60	8 × 3.3	-	-	(A) 1.7
ESGB4-20	20	32	60	80.0	88.0	40	20	60	10 × 3.3	-	-	(B) 1.3
ESGA4-24	24	28	60	96.0	104.0	40	20	60	8 × 3.3	-	-	(A) 2.4
ESGB4-24	24	32	60	96.0	104.0	40	20	60	10 × 3.3	-	-	(B) 2.3
ESGA4-25	25	30	60	100.0	108.0	40	20	60	8 × 3.3	-	-	(A) 2.5
ESGB4-25	25	35	60	100.0	108.0	40	20	60	10 × 3.3	-	-	(B) 2.4
ESGA4-30	30	35	70	120.0	128.0	40	20	60	10 × 3.3	-	-	(A) 3.6
ESGB4-30	30	40	70	120.0	128.0	40	20	60	12 × 3.3	-	-	(B) 3.5
ESGA4-35	35	35	70	140.0	148.0	40	20	60	10 × 3.3	-	-	(A) 5.5
ESGB4-35	35	40	70	140.0	148.0	40	20	60	12 × 3.3	-	-	(B) 5.3
ESGA4-36	36	35	70	144.0	152.0	40	20	60	10 × 3.3	-	-	(A) 5.8
ESGB4-36	36	40	70	144.0	152.0	40	20	60	12 × 3.3	-	-	(B) 5.6
ESGA4-40	40	40	80	160.0	168.0	40	20	60	12 × 3.3	-	-	(A) 6.5
ESGB4-40	40	45	80	160.0	168.0	40	20	60	12 × 3.3	-	-	(B) 6.3
ESGA4-45	45	40	80	180.0	188.0	40	20	60	12 × 3.3	-	-	(A) 8.8
ESGB4-45	45	45	80	180.0	188.0	40	20	60	14 × 3.8	-	-	(B) 8.6
ESGA4-48	48	40	80	192.0	200.0	40	20	60	12 × 3.3	26	160	(A) 6.5
ESGB4-48	48	45	80	192.0	200.0	40	20	60	14 × 3.8	26	160	(B) 6.3
ESGA4-50	50	40	85	200.0	208.0	40	20	60	12 × 3.3	26	168	(A) 8.3
ESGB4-50	50	50	85	200.0	208.0	40	20	60	14 × 3.8	26	168	(B) 7.9

■ ESGA(B) 許容傳達動力表 (kW)

규격	rpm					
	300	600	900	1200	1800	2400
ESGA4-15	14.7	29.5	44.2	59.0	88.5	118
ESGA4-18	19.3	38.6	57.9	77.2	115	140
ESGA4-20	22.4	44.8	67.2	89.6	134	162
ESGA4-24	28.7	57.4	86.1	114	156	191
ESGA4-25	30.3	60.6	90.9	121	165	202
ESGA4-30	38.4	76.8	115	153	209	256
ESGA4-35	46.6	93.2	139	169	233	297
ESGA4-36	48.2	96.5	144	175	241	310
ESGA4-40	54.9	109	164	199	274	337
ESGA4-45	63.2	126	172	227	315	389
ESGA4-48	68.3	136	186	230	316	420
ESGA4-50	71.6	143	195	238	330	-



● 材質 : SM45C ● 壓力角 : 20° ● 齒面高周波燒入 ● KS : 2~3級



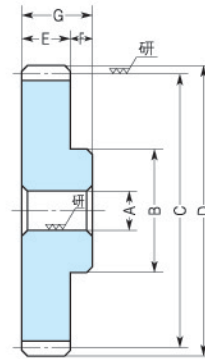
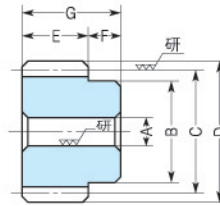
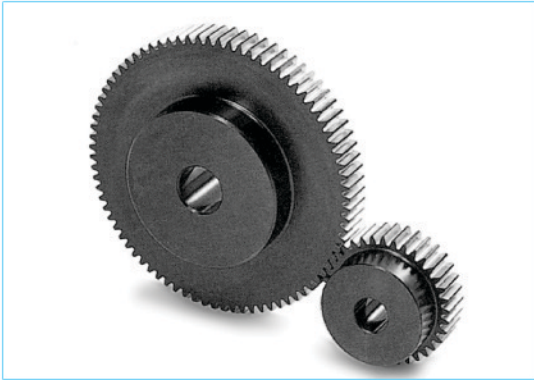
■ 齒研平齒車 (齒幅 8mm)

규격	잇수	내경	보스경	피치원직경	치선원직경	치폭	보스길이	전장	중량 (kg)
	Z	A _{H7}	B	C	D	E	F	G	
ESCG1- 15	15	6	12	15.0	17.0	8	10	18	0.02
ESCG1- 16	16	6	13	16.0	18.0	8	10	18	0.02
ESCG1- 17	17	6	14	17.0	19.0	8	10	18	0.02
ESCG1- 18	18	6	15	18.0	20.0	8	10	18	0.03
ESCG1- 19	19	6	16	19.0	21.0	8	10	18	0.03
ESCG1- 20	20	6	17	20.0	22.0	8	10	18	0.03
ESCG1- 21	21	8	18	21.0	23.0	8	10	18	0.04
ESCG1- 22	22	8	18	22.0	24.0	8	10	18	0.04
ESCG1- 23	23	8	20	23.0	25.0	8	10	18	0.04
ESCG1- 24	24	8	20	24.0	26.0	8	10	18	0.05
ESCG1- 25	25	8	20	25.0	27.0	8	10	18	0.05
ESCG1- 26	26	8	20	26.0	28.0	8	10	18	0.05
ESCG1- 27	27	8	20	27.0	29.0	8	10	18	0.05
ESCG1- 28	28	8	20	28.0	30.0	8	10	18	0.06
ESCG1- 29	29	8	25	29.0	31.0	8	10	18	0.07
ESCG1- 30	30	10	25	30.0	32.0	8	10	18	0.07
ESCG1- 32	32	10	25	32.0	34.0	8	10	18	0.08
ESCG1- 34	34	10	25	34.0	36.0	8	10	18	0.08
ESCG1- 35	35	10	25	35.0	37.0	8	10	18	0.09
ESCG1- 36	36	10	25	36.0	38.0	8	10	18	0.09
ESCG1- 38	38	10	30	38.0	40.0	8	10	18	0.12
ESCG1- 40	40	10	30	40.0	42.0	8	10	18	0.12
ESCG1- 42	42	10	30	42.0	44.0	8	10	18	0.13
ESCG1- 44	44	10	30	44.0	46.0	8	10	18	0.14
ESCG1- 45	45	10	30	45.0	47.0	8	10	18	0.15
ESCG1- 48	48	10	30	48.0	50.0	8	10	18	0.16
ESCG1- 50	50	12	35	50.0	52.0	8	10	18	0.18
ESCG1- 55	55	12	35	55.0	57.0	8	10	18	0.21
ESCG1- 56	56	12	35	56.0	58.0	8	10	18	0.22
ESCG1- 60	60	12	40	60.0	62.0	8	10	18	0.26
ESCG1- 64	64	12	40	64.0	66.0	8	10	18	0.29
ESCG1- 70	70	12	40	70.0	72.0	8	10	18	0.32
ESCG1- 75	75	12	40	75.0	77.0	8	10	18	0.36
ESCG1- 80	80	15	50	80.0	82.0	8	10	18	0.45
ESCG1- 90	90	15	50	90.0	92.0	8	10	18	0.53
ESCG1- 100	100	15	50	100.0	102.0	8	10	18	0.63
ESCG1- 120	120	15	50	120.0	122.0	8	10	18	0.84

※ 상기 기어의 동력전달표는 36페이지를 참고하십시오.



● 材質 : SM45C ● 壓力角 : 20° ● 齒面高周波燒入 ● KS : 2~3級



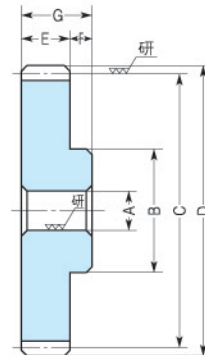
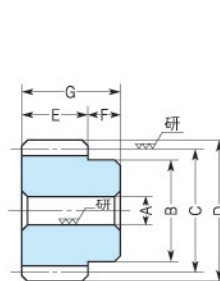
■ 齒研平齒車 (齒幅 15mm)

규격	잇수	내경	보스경	피치원직경	치선원직경	치폭	보스길이	전장	중량 (kg)
	Z	A _{H7}	B	C	D	E	F	G	
ESCG1.5- 14	14	10	17	21.0	24.0	15	14	29	0.06
ESCG1.5- 15	15	10	18	22.5	25.5	15	14	29	0.07
ESCG1.5- 16	16	10	20	24.0	27.0	15	14	29	0.08
ESCG1.5- 17	17	10	21	25.5	28.5	15	14	29	0.08
ESCG1.5- 18	18	10	22	27.0	30.0	15	14	29	0.10
ESCG1.5- 19	19	10	23	28.5	31.5	15	14	29	0.10
ESCG1.5- 20	20	10	24	30.0	33.0	15	14	29	0.13
ESCG1.5- 21	21	10	25	31.5	34.5	15	14	29	0.13
ESCG1.5- 22	22	12	26	33.0	36.0	15	14	29	0.15
ESCG1.5- 23	23	12	27	34.5	37.5	15	14	29	0.15
ESCG1.5- 24	24	12	28	36.0	39.0	15	14	29	0.18
ESCG1.5- 25	25	12	30	37.5	40.5	15	14	29	0.20
ESCG1.5- 26	26	12	32	39.0	42.0	15	14	29	0.20
ESCG1.5- 27	27	15	34	40.5	43.5	15	14	29	0.21
ESCG1.5- 28	28	15	36	42.0	45.0	15	14	29	0.25
ESCG1.5- 29	29	15	37	43.5	46.5	15	14	29	0.25
ESCG1.5- 30	30	15	38	45.0	48.0	15	14	29	0.29
ESCG1.5- 32	32	15	40	48.0	51.0	15	14	29	0.33
ESCG1.5- 34	34	15	42	51.0	54.0	15	14	29	0.35
ESCG1.5- 35	35	15	42	52.5	55.5	15	14	29	0.39
ESCG1.5- 36	36	15	45	54.0	57.0	15	14	29	0.43
ESCG1.5- 38	38	15	45	57.0	60.0	15	14	29	0.44
ESCG1.5- 40	40	15	50	60.0	63.0	15	14	29	0.53
ESCG1.5- 42	42	15	50	63.0	66.0	15	14	29	0.54
ESCG1.5- 44	44	15	50	66.0	69.0	15	14	29	0.58
ESCG1.5- 45	45	18	50	67.5	70.5	15	14	29	0.61
ESCG1.5- 48	48	18	50	72.0	75.0	15	14	29	0.67
ESCG1.5- 50	50	18	60	75.0	78.0	15	14	29	0.80
ESCG1.5- 55	55	18	60	82.5	85.5	15	14	29	0.92
ESCG1.5- 56	56	18	60	84.0	87.0	15	14	29	0.92
ESCG1.5- 60	60	20	60	90.0	93.0	15	14	29	1.0
ESCG1.5- 64	64	20	60	96.0	99.0	15	14	29	1.1
ESCG1.5- 70	70	20	60	105.0	108.0	15	14	29	1.3
ESCG1.5- 75	75	20	60	112.5	115.5	15	14	29	1.4
ESCG1.5- 80	80	20	70	120.0	123.0	15	14	29	1.7
ESCG1.5- 90	90	20	70	135.0	138.0	15	14	29	2.0
ESCG1.5-100	100	20	70	150.0	153.0	15	14	29	2.4

※ 상기 기어의 동력전달표는 36페이지를 참고하십시오.



● 材質 : SM45C ● 壓力角 : 20° ● 齒面高周波燒入 ● KS : 2~3級



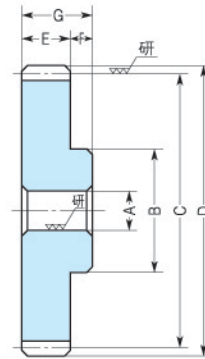
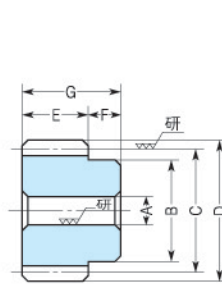
■ 齒研平齒車 (齒幅 20mm)

규격	잇수	내경	보스경	피치원직경	치선원직경	치폭	보스길이	전장	중량 (kg)
	Z	A _{H7}	B	C	D	E	F	G	
ESCG2- 14	14	12	22	28.0	32.0	20	16	36	0.10
ESCG2- 15	15	12	24	30.0	34.0	20	16	36	0.18
ESCG2- 16	16	12	26	32.0	36.0	20	16	36	0.18
ESCG2- 17	17	12	28	34.0	38.0	20	16	36	0.19
ESCG2- 18	18	12	30	36.0	40.0	20	16	36	0.24
ESCG2- 19	19	12	31	38.0	42.0	20	16	36	0.25
ESCG2- 20	20	15	32	40.0	44.0	20	16	36	0.28
ESCG2- 21	21	15	34	42.0	46.0	20	16	36	0.31
ESCG2- 22	22	15	36	44.0	48.0	20	16	36	0.35
ESCG2- 23	23	15	37	46.0	50.0	20	16	36	0.38
ESCG2- 24	24	15	38	48.0	52.0	20	16	36	0.45
ESCG2- 25	25	15	40	50.0	54.0	20	16	36	0.46
ESCG2- 26	26	15	42	52.0	56.0	20	16	36	0.49
ESCG2- 27	27	15	44	54.0	58.0	20	16	36	0.50
ESCG2- 28	28	15	45	56.0	60.0	20	16	36	0.59
ESCG2- 29	29	15	48	58.0	62.0	20	16	36	0.61
ESCG2- 30	30	18	50	60.0	64.0	20	16	36	0.67
ESCG2- 32	32	18	50	64.0	68.0	20	16	36	0.74
ESCG2- 34	34	18	50	68.0	72.0	20	16	36	0.75
ESCG2- 35	35	18	50	70.0	74.0	20	16	36	0.84
ESCG2- 36	36	18	50	72.0	76.0	20	16	36	0.88
ESCG2- 38	38	18	50	76.0	80.0	20	16	36	0.89
ESCG2- 40	40	20	60	80.0	84.0	20	16	36	1.0
ESCG2- 42	42	20	60	84.0	88.0	20	16	36	1.1
ESCG2- 44	44	20	60	88.0	92.0	20	16	36	1.2
ESCG2- 45	45	20	60	90.0	94.0	20	16	36	1.3
ESCG2- 48	48	20	60	96.0	100.0	20	16	36	1.5
ESCG2- 50	50	25	60	100.0	104.0	20	16	36	1.6
ESCG2- 55	55	25	60	110.0	114.0	20	16	36	1.7
ESCG2- 56	56	25	60	112.0	116.0	20	16	36	1.8
ESCG2- 60	60	25	65	120.0	124.0	20	16	36	2.2
ESCG2- 64	64	25	65	128.0	132.0	20	16	36	2.3
ESCG2- 70	70	25	70	140.0	144.0	20	16	36	2.9
ESCG2- 75	75	25	70	150.0	154.0	20	16	36	3.1
ESCG2- 80	80	25	80	160.0	164.0	20	16	36	3.8
ESCG2- 90	90	25	80	180.0	184.0	20	16	36	4.5
ESCG2- 100	100	25	80	200.0	204.0	20	16	36	5.4

※ 상기 기어의 동력전달표는 37페이지를 참고하십시오.



● 材質 : SM45C ● 壓力角 : 20° ● 齒面高周波燒入 ● KS : 2~3級



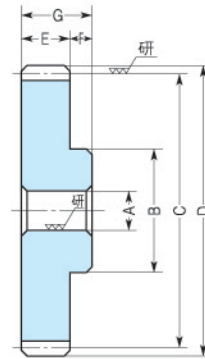
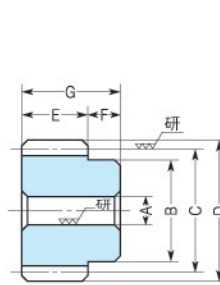
■ 齒研平齒車 (齒幅 25mm)

규격	잇수	내경	보스경	피치원직경	치선원직경	치폭	보스길이	전장	중량 (kg)
	Z	A _{H7}	B	C	D	E	F	G	
ESCG2.5- 14	14	15	28	35.0	40.0	25	18	43	0.28
ESCG2.5- 15	15	15	30	37.5	42.5	25	18	43	0.33
ESCG2.5- 16	16	15	32	40.0	45.0	25	18	43	0.36
ESCG2.5- 17	17	15	35	42.5	47.5	25	18	43	0.38
ESCG2.5- 18	18	15	38	45.0	50.0	25	18	43	0.46
ESCG2.5- 19	19	15	39	47.5	52.5	25	18	43	0.50
ESCG2.5- 20	20	18	40	50.0	55.0	25	18	43	0.54
ESCG2.5- 21	21	18	42	52.5	57.5	25	18	43	0.55
ESCG2.5- 22	22	18	44	55.0	60.0	25	18	43	0.66
ESCG2.5- 23	23	18	46	57.5	62.5	25	18	43	0.67
ESCG2.5- 24	24	18	48	60.0	65.0	25	18	43	0.81
ESCG2.5- 25	25	20	50	62.5	67.5	25	18	43	0.87
ESCG2.5- 26	26	20	54	65.0	70.0	25	18	43	0.93
ESCG2.5- 27	27	20	56	67.5	72.5	25	18	43	0.94
ESCG2.5- 28	28	20	60	70.0	75.0	25	18	43	1.0
ESCG2.5- 29	29	20	60	72.5	77.5	25	18	43	1.1
ESCG2.5- 30	30	20	65	75.0	80.0	25	18	43	1.3
ESCG2.5- 32	32	20	70	80.0	85.0	25	18	43	1.5
ESCG2.5- 34	34	20	70	85.0	90.0	25	18	43	1.6
ESCG2.5- 35	35	20	70	87.5	92.5	25	18	43	-
ESCG2.5- 36	36	20	70	90.0	95.0	25	18	43	1.8
ESCG2.5- 38	38	20	70	95.0	100.0	25	18	43	1.9
ESCG2.5- 40	40	25	70	100.0	105.0	25	18	43	2.1
ESCG2.5- 42	42	25	75	105.0	110.0	25	18	43	2.2
ESCG2.5- 44	44	25	75	110.0	115.0	25	18	43	2.3
ESCG2.5- 45	45	25	75	112.5	117.5	25	18	43	2.6
ESCG2.5- 48	48	25	75	120.0	125.0	25	18	43	2.8
ESCG2.5- 50	50	25	80	125.0	130.0	25	18	43	3.1
ESCG2.5- 55	55	25	80	137.5	142.5	25	18	43	3.5
ESCG2.5- 56	56	25	80	140.0	145.0	25	18	43	3.6
ESCG2.5- 60	60	25	80	150.0	155.0	25	18	43	4.2
ESCG2.5- 70	70	25	80	175.0	180.0	25	18	43	5.3
ESCG2.5- 75	75	25	90	187.5	192.5	25	18	43	6.2
ESCG2.5- 80	80	25	90	200.0	205.0	25	18	43	6.9

* 상기 기어의 동력전달표는 37페이지를 참고하십시오.



● 材質 : SM45C ● 壓力角 : 20° ● 齒面高周波燒入 ● KS : 2~3級



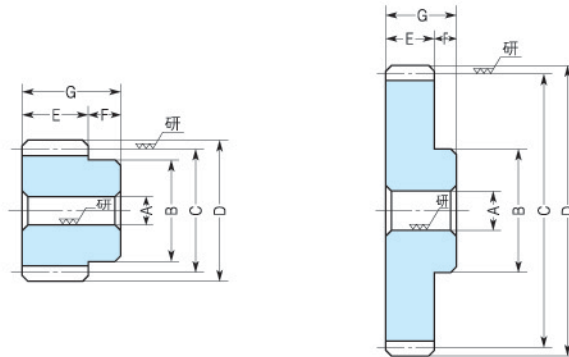
■ 齒研平齒車 (齒幅 30mm)

규격	잇수	내경	보스경	피치원직경	치선원직경	치폭	보스길이	전장	중량 (kg)
	Z	A _{H7}	B	C	D	E	F	G	
ESCG3-14	14	16	34	42.0	48.0	30	20	50	0.51
ESCG3-15	15	16	36	45.0	51.0	30	20	50	0.58
ESCG3-16	16	16	38	48.0	54.0	30	20	50	0.57
ESCG3-17	17	16	37	51.0	57.0	30	20	50	0.66
ESCG3-18	18	16	40	54.0	60.0	30	20	50	0.77
ESCG3-19	19	16	45	57.0	63.0	30	20	50	0.80
ESCG3-20	20	20	50	60.0	66.0	30	20	50	0.94
ESCG3-21	21	20	52	63.0	69.0	30	20	50	0.98
ESCG3-22	22	20	54	66.0	72.0	30	20	50	1.1
ESCG3-23	23	20	56	69.0	75.0	30	20	50	1.2
ESCG3-24	24	20	58	72.0	78.0	30	20	50	1.4
ESCG3-25	25	20	60	75.0	81.0	30	20	50	1.5
ESCG3-26	26	20	62	78.0	84.0	30	20	50	1.5
ESCG3-27	27	20	65	81.0	87.0	30	20	50	1.6
ESCG3-28	28	20	70	84.0	90.0	30	20	50	1.9
ESCG3-29	29	20	70	87.0	93.0	30	20	50	2.0
ESCG3-30	30	25	75	90.0	96.0	30	20	50	2.2
ESCG3-32	32	25	75	96.0	102.0	30	20	50	2.4
ESCG3-34	34	25	75	102.0	108.0	30	20	50	2.4
ESCG3-35	35	25	80	105.0	110.0	30	20	50	2.9
ESCG3-36	36	25	80	108.0	114.0	30	20	50	3.0
ESCG3-38	38	25	80	114.0	120.0	30	20	50	3.0
ESCG3-40	40	25	80	120.0	126.0	30	20	50	3.5
ESCG3-42	42	25	80	126.0	132.0	30	20	50	3.5
ESCG3-44	44	25	80	132.0	138.0	30	20	50	3.8
ESCG3-45	45	25	80	135.0	141.0	30	20	50	4.2
ESCG3-48	48	25	85	144.0	150.0	30	20	50	5.3
ESCG3-50	50	30	85	150.0	156.0	30	20	50	5.6
ESCG3-55	55	30	90	165.0	171.0	30	20	50	5.9
ESCG3-56	56	30	90	168.0	174.0	30	20	50	6.0
ESCG3-60	60	30	100	180.0	186.0	30	20	50	7.4
ESCG3-70	70	30	100	210.0	216.0	30	20	50	9.1
ESCG3-75	75	30	100	225.0	231.0	30	20	50	10.3
ESCG3-80	80	30	100	240.0	246.0	30	20	50	11.6

※ 상기 기어의 동력전달표는 38페이지를 참고하십시오.



● 材質 : SM45C ● 壓力角 : 20° ● 齒面高周波燒入 ● KS : 2~3級



■ 齒研平齒車 (齒幅 40mm)

규격	잇수	내경	보스경	피치원직경	치선원직경	치폭	보스길이	전장	중량 (kg)
	Z	A _{H7}	B	C	D	E	F	G	
ESCG4-14	14	20	40	56.0	64.0	40	25	65	0.86
ESCG4-15	15	20	45	60.0	68.0	40	25	65	1.0
ESCG4-16	16	20	50	64.0	72.0	40	25	65	1.2
ESCG4-18	18	20	60	72.0	80.0	40	25	65	1.7
ESCG4-20	20	20	65	80.0	88.0	40	25	65	2.1
ESCG4-22	22	20	70	88.0	96.0	40	25	65	2.5
ESCG4-24	24	20	75	96.0	104.0	40	25	65	3.0
ESCG4-25	25	20	80	100.0	108.0	40	25	65	3.3
ESCG4-28	28	20	85	112.0	120.0	40	25	65	4.1
ESCG4-30	30	20	90	120.0	128.0	40	25	65	4.6
ESCG4-32	32	25	90	128.0	136.0	40	25	65	5.0
ESCG4-35	35	25	90	140.0	148.0	40	25	65	5.8
ESCG4-36	36	25	90	144.0	152.0	40	25	65	6.1
ESCG4-40	40	25	90	160.0	168.0	40	25	65	7.3
ESCG4-42	42	25	90	168.0	176.0	40	25	65	8.0
ESCG4-44	44	30	90	176.0	184.0	40	25	65	8.5
ESCG4-45	45	30	90	180.0	188.0	40	25	65	8.9
ESCG4-48	48	30	100	192.0	200.0	40	25	65	10.3
ESCG4-50	50	30	100	200.0	208.0	40	25	65	11.1
ESCG4-55	55	30	100	220.0	228.0	40	25	65	13.1
ESCG4-56	56	30	110	224.0	232.0	40	25	65	13.9
ESCG4-60	60	30	110	240.0	248.0	40	25	65	15.7

※ 상기 기어의 동력전달표는 38페이지를 참고하십시오.

齒研平齒車 許容傳達標準動力表(kW)

ESCG (MODULE 1)

rpm 규격	300	600	900	1200	1800	2400
ESCG1- 15	0.086	0.17	0.26	0.34	0.52	0.69
ESCG1- 16	0.095	0.19	0.28	0.38	0.57	0.76
ESCG1- 17	0.10	0.20	0.31	0.41	0.62	0.83
ESCG1- 18	0.11	0.22	0.34	0.45	0.68	0.90
ESCG1- 19	0.12	0.24	0.36	0.49	0.73	0.98
ESCG1- 20	0.13	0.26	0.39	0.52	0.79	1.05
ESCG1- 21	0.14	0.28	0.42	0.56	0.84	1.12
ESCG1- 22	0.15	0.30	0.45	0.60	0.90	1.20
ESCG1- 23	0.15	0.31	0.47	0.63	0.95	1.27
ESCG1- 24	0.16	0.33	0.50	0.67	1.01	1.28
ESCG1- 25	0.17	0.35	0.53	0.71	1.07	1.35
ESCG1- 26	0.18	0.37	0.56	0.75	1.12	1.43
ESCG1- 27	0.19	0.39	0.59	0.78	1.18	1.50
ESCG1- 28	0.20	0.41	0.62	0.82	1.24	1.57
ESCG1- 29	0.21	0.43	0.64	0.86	1.29	1.64
ESCG1- 30	0.22	0.45	0.67	0.90	1.35	1.72
ESCG1- 32	0.24	0.49	0.73	0.98	1.40	1.86
ESCG1- 34	0.26	0.52	0.79	1.05	1.51	2.01
ESCG1- 35	0.27	0.54	0.82	1.09	1.56	2.08
ESCG1- 36	0.28	0.56	0.85	1.13	1.62	2.16
ESCG1- 38	0.30	0.60	0.91	1.21	1.73	2.31
ESCG1- 40	0.32	0.64	0.96	1.29	1.84	2.34
ESCG1- 42	0.34	0.68	1.02	1.37	1.95	2.49
ESCG1- 44	0.36	0.72	1.08	1.44	2.07	2.63
ESCG1- 45	0.37	0.74	1.11	1.48	2.12	2.70
ESCG1- 48	0.40	0.80	1.20	1.53	2.29	2.92
ESCG1- 50	0.42	0.84	1.26	1.60	2.40	3.06
ESCG1- 55	0.47	0.94	1.41	1.79	2.57	3.42
ESCG1- 56	0.48	0.96	1.44	1.83	2.62	3.49
ESCG1- 60	0.52	1.04	1.56	1.98	2.84	3.74
ESCG1- 64	0.56	1.12	1.60	2.13	3.06	3.78
ESCG1- 70	0.62	1.24	1.77	2.36	3.38	4.14
ESCG1- 75	0.67	1.34	1.91	2.55	3.66	4.47
ESCG1- 80	0.72	1.44	2.06	2.62	3.93	4.81
ESCG1- 90	0.82	1.64	2.34	2.99	4.11	5.48
ESCG1- 100	0.92	1.75	2.63	3.35	4.61	5.68
ESCG1- 120	1.12	2.14	3.07	4.09	5.62	6.92

ESCG (MODULE 1.5)

rpm 규격	300	600	900	1200	1800	2400
ESCG1.5- 14	0.32	0.65	0.98	1.31	1.96	2.62
ESCG1.5- 15	0.36	0.72	1.09	1.45	2.18	2.19
ESCG1.5- 16	0.40	0.80	1.20	1.60	2.40	3.05
ESCG1.5- 17	0.43	0.87	1.31	1.75	2.63	3.34
ESCG1.5- 18	0.47	0.95	1.42	1.90	2.85	3.62
ESCG1.5- 19	0.51	1.02	1.54	2.05	3.08	3.91
ESCG1.5- 20	0.55	1.10	1.65	2.21	3.31	4.21
ESCG1.5- 21	0.59	1.18	1.77	2.36	3.54	4.50
ESCG1.5- 22	0.63	1.26	1.89	2.52	3.60	4.80
ESCG1.5- 23	0.66	1.33	2.00	2.67	3.82	5.09
ESCG1.5- 24	0.70	1.41	2.12	2.83	4.04	5.39
ESCG1.5- 25	0.74	1.49	2.24	2.99	4.27	5.69
ESCG1.5- 26	0.78	1.57	2.36	3.15	4.50	6.00
ESCG1.5- 27	0.82	1.65	2.48	3.30	4.72	6.01
ESCG1.5- 28	0.86	1.73	2.60	3.46	4.95	6.30
ESCG1.5- 29	0.90	1.81	2.72	3.62	5.18	6.59
ESCG1.5- 30	0.94	1.89	2.84	3.79	5.41	6.89
ESCG1.5- 32	1.02	2.05	3.08	3.91	5.87	7.47
ESCG1.5- 34	1.10	2.21	3.32	4.22	6.33	8.06
ESCG1.5- 35	1.15	2.30	3.45	4.38	6.49	8.36
ESCG1.5- 36	1.19	2.38	3.57	4.53	6.57	8.66
ESCG1.5- 38	1.27	2.54	3.81	4.84	6.94	9.25
ESCG1.5- 40	1.35	2.70	4.06	5.16	7.38	9.85
ESCG1.5- 42	1.43	2.87	4.31	5.47	7.83	10.0
ESCG1.5- 44	1.51	3.03	4.34	5.78	8.28	10.1
ESCG1.5- 45	1.56	3.12	4.45	5.94	8.51	10.4
ESCG1.5- 48	1.68	3.37	4.81	6.42	9.19	11.2
ESCG1.5- 50	1.76	3.53	5.05	6.73	9.64	11.7
ESCG1.5- 55	1.97	3.95	5.64	7.18	10.7	13.1
ESCG1.5- 56	2.01	4.03	5.76	7.33	10.9	13.4
ESCG1.5- 60	2.18	4.37	6.24	7.94	11.3	14.5
ESCG1.5- 64	2.35	4.48	6.72	8.55	11.7	15.4
ESCG1.5- 70	2.60	4.96	7.44	9.47	13.0	16.0
ESCG1.5- 75	2.81	5.36	7.68	10.2	14.0	17.3
ESCG1.5- 80	3.02	5.76	8.25	11.0	15.1	18.6
ESCG1.5- 90	3.45	6.57	9.40	11.5	15.9	21.2
ESCG1.5-100	3.87	7.37	10.5	12.9	17.8	20.6

齒研平齒車 許容傳達標準動力表(kW)

■ ESCG (MODULE 2)

rpm 규격	300	600	900	1200	1800	2400
ESCG2- 14	0.77	1.55	2.32	3.10	4.65	5.91
ESCG2- 15	0.86	1.72	2.58	3.45	5.17	6.57
ESCG2- 16	0.95	1.90	2.85	3.80	5.43	7.24
ESCG2- 17	1.03	2.07	3.11	4.15	5.93	7.91
ESCG2- 18	1.12	2.25	3.38	4.51	6.45	8.60
ESCG2- 19	1.21	2.43	3.65	4.87	6.96	9.28
ESCG2- 20	1.31	2.62	3.93	5.24	7.48	9.52
ESCG2- 21	1.40	2.80	4.20	5.60	8.00	10.1
ESCG2- 22	1.49	2.98	4.48	5.97	8.53	10.8
ESCG2- 23	1.58	3.17	4.75	6.34	9.06	11.5
ESCG2- 24	1.67	3.35	5.03	6.39	9.59	12.2
ESCG2- 25	1.77	3.54	5.31	6.75	10.1	12.8
ESCG2- 26	1.86	3.73	5.60	7.11	10.6	13.5
ESCG2- 27	1.96	3.92	5.88	7.47	10.8	14.2
ESCG2- 28	2.05	4.11	6.16	7.83	11.2	14.9
ESCG2- 29	2.15	4.30	6.45	8.19	11.7	15.6
ESCG2- 30	2.24	4.49	6.73	8.55	12.2	16.3
ESCG2- 32	2.43	4.87	6.96	9.28	13.2	16.2
ESCG2- 34	2.62	5.25	7.51	10.0	14.3	17.5
ESCG2- 35	2.72	5.45	7.78	10.3	14.8	18.1
ESCG2- 36	2.82	5.64	8.06	10.7	15.3	18.8
ESCG2- 38	3.01	6.03	8.61	11.4	16.4	20.1
ESCG2- 40	3.21	6.42	9.17	11.6	17.5	21.4
ESCG2- 42	3.40	6.81	9.73	12.3	18.0	22.7
ESCG2- 44	3.60	7.20	10.2	13.0	18.5	24.0
ESCG2- 45	3.69	7.39	10.5	13.4	18.8	24.6
ESCG2- 48	3.99	7.60	11.4	14.5	19.9	25
ESCG2- 50	4.19	7.98	11.9	15.2	20.9	25.7
ESCG2- 55	4.68	8.92	12.7	17.0	23.4	28.8
ESCG2- 56	4.78	9.11	13.0	17.3	23.9	29.4
ESCG2- 60	5.18	9.86	14.1	18.8	25.9	31.8
ESCG2- 64	5.57	10.6	15.2	19.5	26.7	34.3
ESCG2- 70	6.17	11.7	16.8	20.5	28.5	35.6
ESCG2- 75	6.67	12.7	18.2	22.2	30.8	37
ESCG2- 80	7.17	13.0	19.5	23.9	33.1	38.2
ESCG2- 90	8.17	14.8	20.4	27.2	36.7	43.6
ESCG2- 100	8.74	16.6	22.9	28.2	37.7	49

■ ESCG (MODULE 2.5)

rpm 규격	300	600	900	1200	1800	2400
ESCG2.5- 14	1.51	3.03	4.54	6.06	8.66	11.5
ESCG2.5- 15	1.68	3.37	5.05	6.74	9.63	12.8
ESCG2.5- 16	1.85	3.71	5.57	7.42	10.6	13.5
ESCG2.5- 17	2.02	4.05	6.08	8.11	11.5	14.7
ESCG2.5- 18	2.20	4.40	6.61	8.81	12.5	16.0
ESCG2.5- 19	2.38	4.76	7.14	9.52	13.6	17.3
ESCG2.5- 20	2.55	5.11	7.67	9.74	14.6	18.6
ESCG2.5- 21	2.73	5.47	8.21	10.4	15.6	19.9
ESCG2.5- 22	2.91	5.83	8.75	11.1	15.9	21.2
ESCG2.5- 23	3.09	6.19	9.29	11.8	16.9	22.5
ESCG2.5- 24	3.28	6.56	9.84	12.4	17.8	23.8
ESCG2.5- 25	3.46	6.92	10.3	13.1	18.8	24.3
ESCG2.5- 26	3.64	7.29	10.4	13.8	19.8	25.1
ESCG2.5- 27	3.83	7.66	10.9	14.5	20.8	25.5
ESCG2.5- 28	4.01	8.03	11.4	15.2	21.9	26.7
ESCG2.5- 29	4.20	8.40	12.0	16.0	22.9	28.0
ESCG2.5- 30	4.38	8.77	12.5	16.7	23.9	29.2
ESCG2.5- 32	4.76	9.52	13.6	17.3	25.6	31.7
ESCG2.5- 34	5.13	10.2	14.6	18.6	25.9	34.2
ESCG2.5- 35	5.32	10.6	15.2	19.3	26.6	35.4
ESCG2.5- 36	5.51	11.0	15.7	20.0	27.5	36.7
ESCG2.5- 38	5.89	11.7	16.8	21.4	29.4	38.5
ESCG2.5- 40	6.27	11.9	17.9	22.8	31.3	39.2
ESCG2.5- 42	6.65	12.6	19.0	24.1	33.2	40.9
ESCG2.5- 44	7.03	13.4	19.1	25.5	35.1	43.2
ESCG2.5- 45	7.22	13.7	19.7	26.2	36.1	44.4
ESCG2.5- 48	7.80	14.8	21.2	28.3	39.0	48.0
ESCG2.5- 50	8.18	15.5	22.3	29.7	40.9	50.3
ESCG2.5- 55	9.15	17.4	24.9	30.5	42.2	53.9
ESCG2.5- 56	9.34	17.7	25.4	31.1	43.1	56.3
ESCG2.5- 60	10.1	19.2	27.5	33.7	46.7	57.5
ESCG2.5- 70	12.0	21.9	30.1	40.2	55.6	64.3
ESCG2.5- 75	13.0	23.7	32.5	43.1	56.0	69.5
ESCG2.5- 80	13.3	25.4	35.0	43.4	60.1	74.7

齒研平齒車 許容傳達標準動力表(kW)

■ ESCG (MODULE 3)

rpm 규격	300	600	900	1200	1800	2400
ESCG3-14	2.62	5.24	7.86	10.4	14.9	19.0
ESCG3-15	2.91	5.82	8.73	11.6	16.6	21.2
ESCG3-16	3.20	6.41	9.62	12.2	18.3	23.3
ESCG3-17	3.50	7.01	10.5	13.3	20.0	25.5
ESCG3-18	3.80	7.61	11.4	14.5	20.7	27.7
ESCG3-19	4.11	8.22	12.3	15.6	22.4	29.9
ESCG3-20	4.42	8.84	13.2	16.8	24.1	32.1
ESCG3-21	4.73	9.46	14.1	18.0	25.8	33.6
ESCG3-22	5.04	10.0	14.4	19.2	27.4	34.4
ESCG3-23	5.35	10.7	15.2	20.3	29.2	35.6
ESCG3-24	5.66	11.3	16.1	21.5	30.9	37.7
ESCG3-25	5.98	11.9	17.0	22.7	32.6	39.8
ESCG3-26	6.30	12.6	18.0	24.0	34.3	42.0
ESCG3-27	6.61	13.2	18.9	24.5	36.1	44.1
ESCG3-28	6.93	13.8	19.8	25.2	36.2	46.2
ESCG3-29	7.25	14.5	20.7	26.3	37.8	48.3
ESCG3-30	7.58	15.1	21.6	27.5	37.9	50.5
ESCG3-32	8.22	15.6	23.5	29.9	41.1	52.6
ESCG3-34	8.87	16.9	25.3	32.2	44.3	54.6
ESCG3-35	9.20	17.5	25.9	33.4	46.0	56.6
ESCG3-36	9.52	18.1	26.2	34.6	47.6	58.6
ESCG3-38	10.1	19.3	27.7	37.0	50.9	62.6
ESCG3-40	10.8	20.6	29.5	39.4	54.1	66.6
ESCG3-42	11.4	21.8	31.3	40.5	56.1	70.7
ESCG3-44	12.1	23.1	33.1	41.6	57.4	71.9
ESCG3-45	12.4	23.7	34.0	41.8	57.6	74.8
ESCG3-48	13.4	25.6	36.7	44.9	62.2	75.4
ESCG3-50	14.1	26.9	38.5	47.1	65.2	76.8
ESCG3-55	15.8	28.7	43.1	52.7	72.9	84.3
ESCG3-56	16.1	29.3	43.7	53.8	74.5	86.1
ESCG3-60	17.4	31.7	44.0	58.2	80.7	93.2
ESCG3-70	19.8	37.9	52.1	64.1	83.3	-
ESCG3-75	21.4	40.9	56.3	69.3	90.1	-
ESCG3-80	23.0	44.0	60.5	74.5	96.8	-

■ ESCG (MODULE 4)

rpm 규격	300	600	900	1200	1800	2400
ESCG4-14	6.21	12.4	18.6	23.6	33.8	45.1
ESCG4-15	6.90	13.8	20.7	26.3	37.6	50.2
ESCG4-16	7.60	15.2	21.7	28.9	41.4	50.7
ESCG4-18	9.03	18.0	25.8	34.4	49.2	60.2
ESCG4-20	10.4	20.9	29.9	38.1	57.1	69.8
ESCG4-22	11.9	23.8	34.1	43.4	59.7	79.6
ESCG4-24	13.4	25.5	38.3	48.8	67.1	82.6
ESCG4-25	14.1	27.0	40.5	51.5	70.9	87.2
ESCG4-28	16.4	31.3	44.8	59.8	82.2	101
ESCG4-30	17.9	34.2	49.0	65.3	89.8	110
ESCG4-32	19.5	37.1	53.1	68	90.0	120
ESCG4-35	21.8	41.5	59.4	72.6	100	120
ESCG4-36	22.5	43.0	61.5	75.2	104	134
ESCG4-40	25.6	46.7	70.0	85.6	118	137
ESCG4-42	27.2	49.5	72.0	90.8	125	145
ESCG4-44	28.8	52.3	73.9	96.0	132	153
ESCG4-45	29.5	53.8	74.3	98.6	136	157
ESCG4-48	30.4	58.1	79.8	100.3	138	170
ESCG4-50	31.9	60.9	83.8	103	144	-
ESCG4-55	35.6	68.1	93.7	115	149	-
ESCG4-56	36.4	69.5	95.6	117	153	-
ESCG4-60	39.4	75.3	103	127	165	-